

BSTINDIA



NOVOTORQUE



**INNOVATION
MEETS
PERFORMANCE**

WHY CHOOSE NOVOTORQUE?



NOVOTORQUE

- **PRECISE TENSION MANAGEMENT** ensures consistent web tension, elevating the overall web tension performance.
- **SIMPLIFIED MAINTENANCE** Engineered for zero maintenance and reduced spare part expenses.
- **OPTIMIZED MATERIAL UTILIZATION** Reduced material wastage due to reduction in web tear and damages.



Feel the power of precision with NOVOTORQUE!

PNEUMATIC BRAKES



NOVOTORQUE



Introducing **NOVOTORQUE**, the cutting-edge pneumatic brake for the new generation.

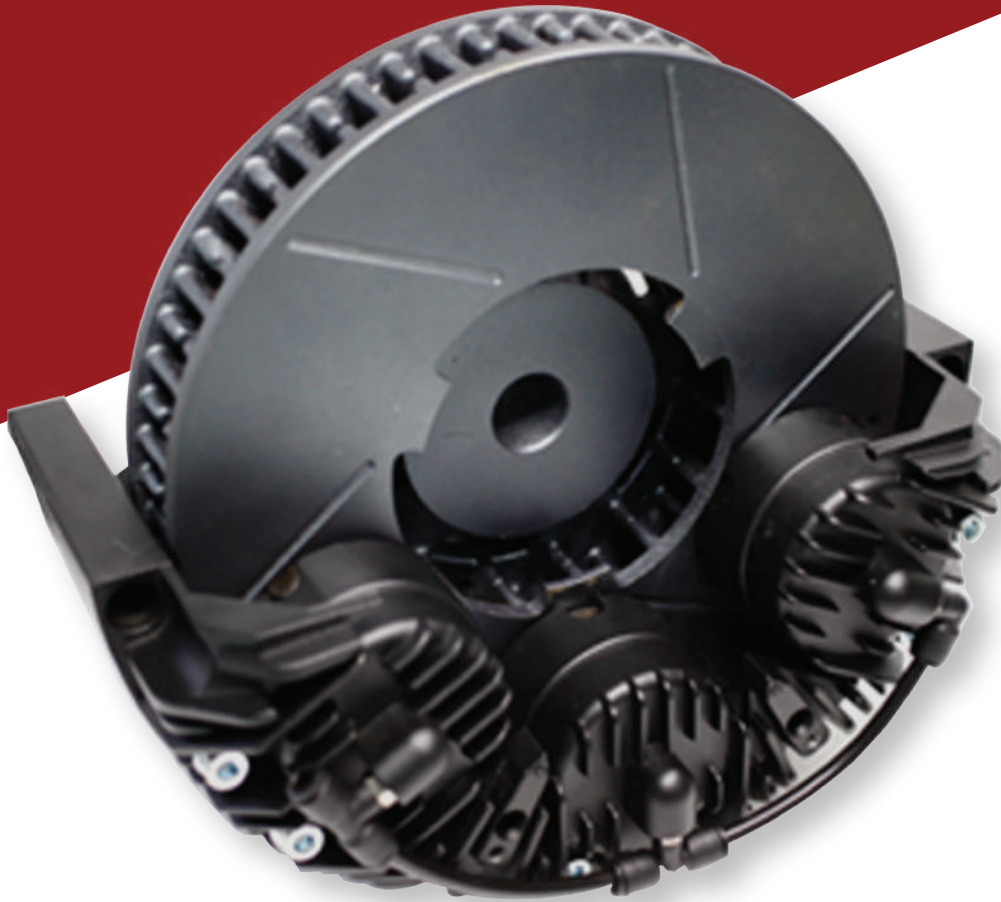
NOVOTORQUE, boasts a revolutionary design featuring a specialized disc and **fan ventilation system**. This innovative approach allows the pneumatic brake to operate at lower temperatures, significantly enhancing unwinding efficiency and delivering peak performance. Moreover, it minimizes maintenance requirements for spare parts.

The unique technology consists of a temperature sensor which increases the fan speed proportional to the internal temperature. Thus, preventing overheating of brake components that can compromise tension consistency. This innovation also plays a vital role in substantially reducing pad wear and minimizing dust emissions.

PNEUMATIC BRAKES



NOVOTORQUE



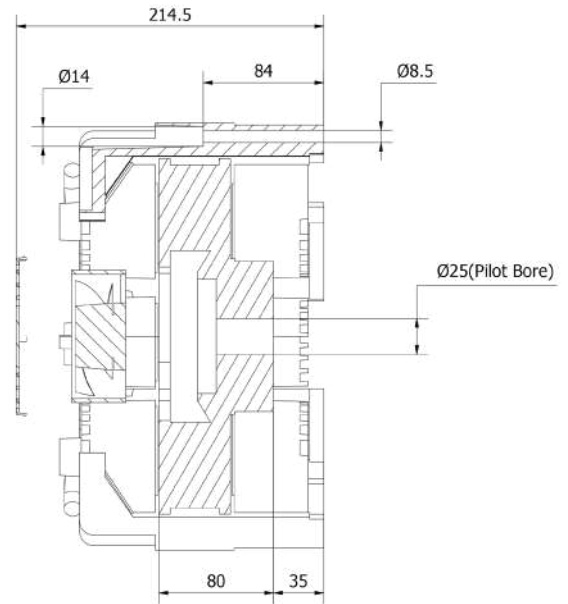
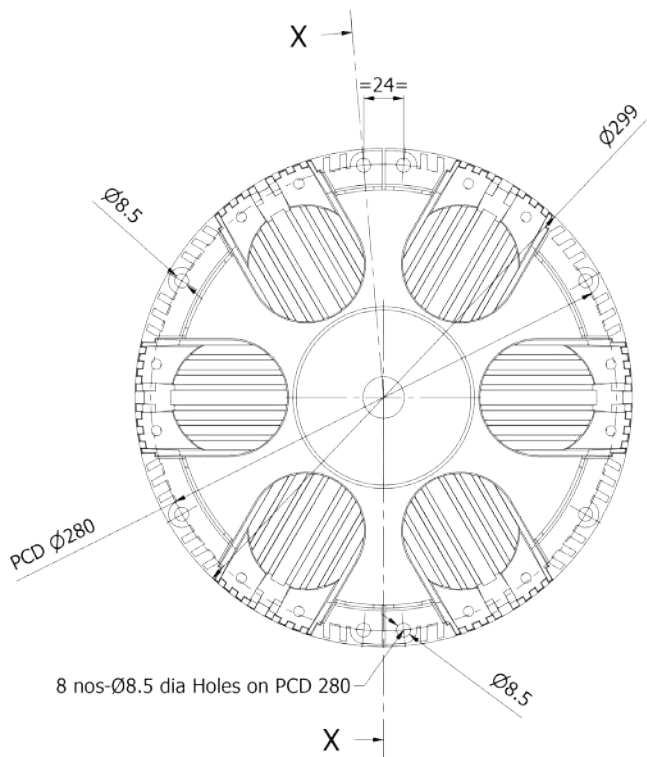
The design incorporates innovative features for fan functionality, anti-dust measures, and pipe protection seamlessly integrated into the fan cover.

This integration not only ensures an extended working life but also maximizes efficiency while minimizing costs.

With a high torque ratio, **NOVOTORQUE**, guarantees precise web tension control in both regular tension control and emergency stop scenarios. Its adaptability allows it to seamlessly integrate into various applications and roll-stand setups, offering unparalleled versatility.

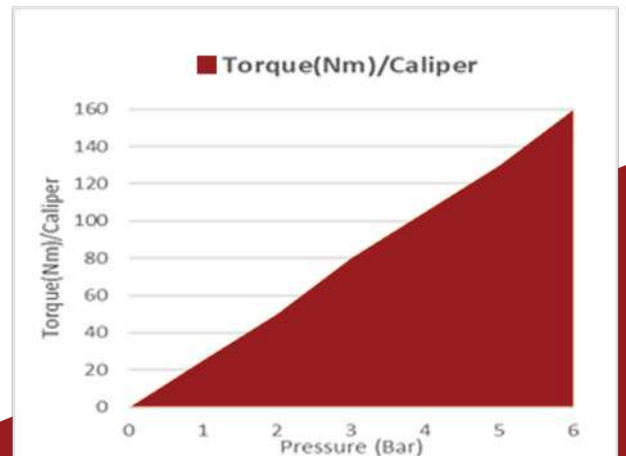
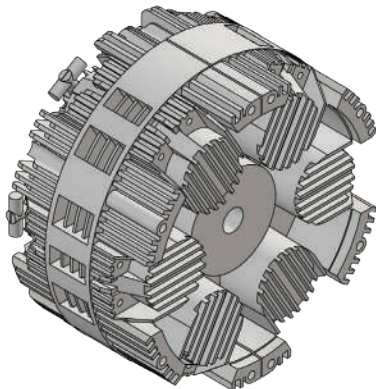
Experience the utmost sensitivity in every production scenario with **NOVOTORQUE!**

PRODUCT PERFORMANCE



X-X (1 : 2.5)

⌀ "A" max ; 50 With taper lock ; 70 With key



Performance	
Torque Max. 1 caliper	160Nm*
Torque Min. 1 caliper	1.5Nm*
Pressure Min./Max.	0.3/6Bar
Max. disc rpm	2500
Total weight	20kg
Heat dissipation without Fan	3.5 KW



NOVOTORQUE SPARE PARTS - PADS

Part No. **BWTC00002113**

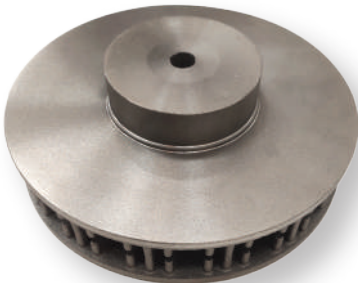
Tailored for diverse application needs, **NOVOTORQUE** offers various models of pads. Thanks to an innovative compound formula, **NOVOTORQUE** pads ensure an extended life, reducing the necessity for spare parts and minimizing dust emissions in the workplace.



NOVOTORQUE SPARE PARTS - DISK

Part No. **BWTC00002115**

Featuring a self-ventilating cast iron disc with a diameter of 250 mm, **NOVOTORQUE's** innovative design enhances cooling capacity by efficiently dissipating the heat generated by the brake. This ensures consistent tension control with high sensitivity throughout the entire process.



NOVOTORQUE SPARE PARTS - FAN

Part No. **BWTC00002117**

Choose from a variety of high-performance fan models within the **NOVOTORQUE** spare parts collection to achieve diverse heat dissipation values. The specially designed anti-dust and fan protection features ensure optimal functionality and longevity.



NOVOTORQUE FEATURES



➤ ***COST-EFFECTIVE PERFORMANCE***

- The root design ensures the best performance
- Use of high quality materials
- Unique heat dissipation improving operation efficiency
- Inbuilt temperature sensor adjusts fan speed based on internal temperature

➤ ***EXTENDED OPERATING LIFESPAN***

- High quality components
- Precision assembly
- Unique technology
- Strict QC
- Protective cover

➤ ***LOW MAINTENANCE COST***

- Easy mounting
- Simple construction
- Protective design
- Durable pads
- Convenient Replacement

 **BST INDIA**



NOVOTORQUE

CONTACT US

Address:

2302/1, GIDC, Vitthal Udyog Nagar,
Vallabh Vidya Nagar,
Anand – 388 121. Gujarat, INDIA.
Tel.: +91 2692 619 200

Phone:

+91 93755 76050
+91 2692 619 234

Mail:

opc@bsteltromat-india.com

Website:

www.bsteltromat-india.com